

SWIT®

KA-A30B/R30B/R31B/B30B
Hot swap plate

Ver: A

USER MANUAL

SWIT Electronics Co.,LTD.

Tel:+86-25-85805753
Fax:+86-25-85805296
http://www.swit.cc
E-mail: contact@swit.cc

Congratulations on your purchase of this product. Please read this user manual carefully.

Warning

Keep below precautions in mind to avoid fire and other safety risk:

- ◆ Do not use the plate near fire or other high temperature place to avoid over-heat and other risk.
- ◆ Do not try to damage the plate housing, disassemble the plate or internal cells.
- ◆ Do not use or storage the plate outside the range of using temperature.
- ◆ Do not use broken plate.
- ◆ Do not squeeze or impact the plate housing.
- ◆ Make sure the voltage and power of using device is not over the nominal range of the plate.
- ◆ Please put the plate side away from children.

Precautions

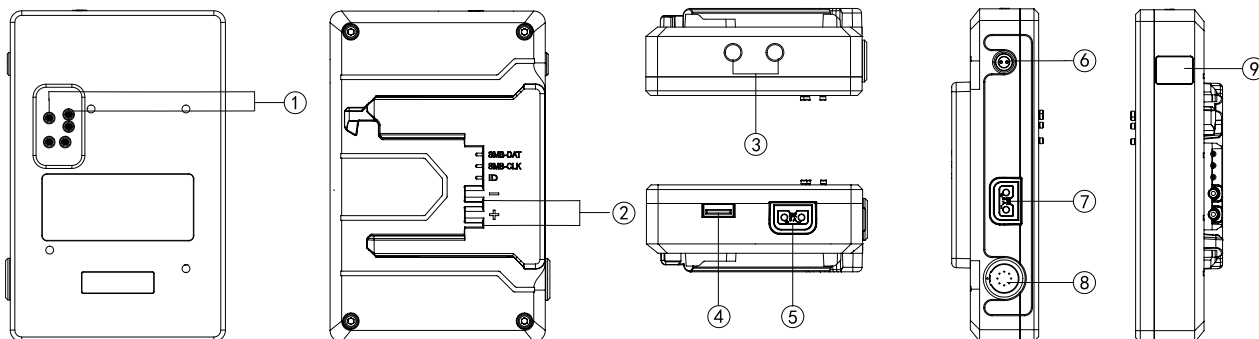
- ◆ If the plate is off before countdown to 0, it may be under protection, put the plate side away to recover.
- ◆ The plate normally heats up when charging and using.
- ◆ Do not use the plate in the environment over 50°C.
- ◆ Keep the electrode pole clean to avoid short circuit.
- ◆ Please storage the plate in shady and dry environment, suggest to keep the remaining power of plate over 60s.
- ◆ Please follow the parameters in user manual when using.

Feature

- ◆ Provide 120s for backup battery changing;
- ◆ 200W output power for any device in any using environment;
- ◆ Support mounting one 8-S B-MOUNT battery or other power supplies to supply power to the device through 8-pin DC;
- ◆ Various output port design: D-TAP, 2-pin DC, 8-pin DC to meet customer need;
- ◆ Support ARRI accessories, double pipe clamp to install the plate;
- ◆ Three digital bars show remaining capacity;
- ◆ KA-R31B support 1* 3G-SDI input and 2* 3G-SDI output.

Appearance

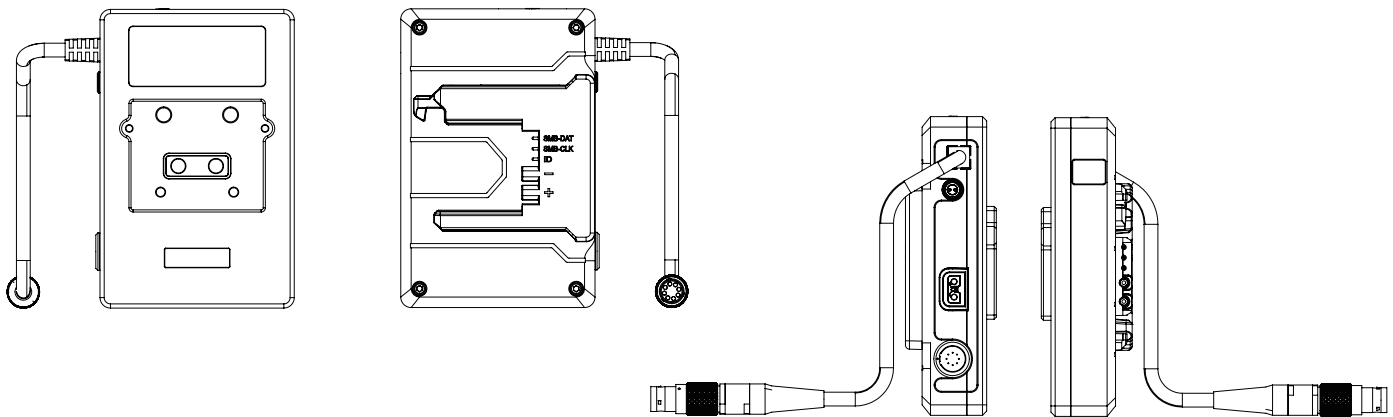
KA-A30B:



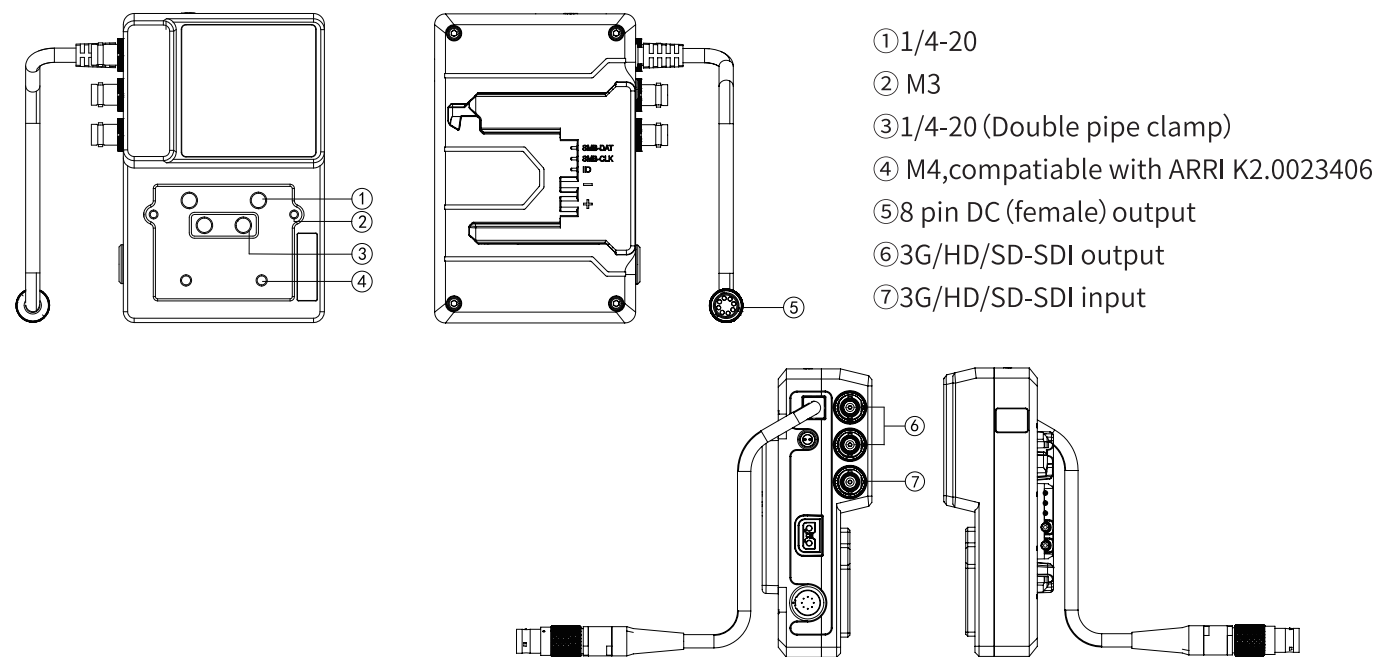
- ① Main output electrode pole
- ② B-MOUNT plate
- ③ 1/4-20 (double pipe clamp)
- ④ USB-A output port

- ⑤ ⑦ D-TAP output port
- ⑥ 2 pin DC (female) output
- ⑧ 8 pin DC (male) input
- ⑨ Digital screen

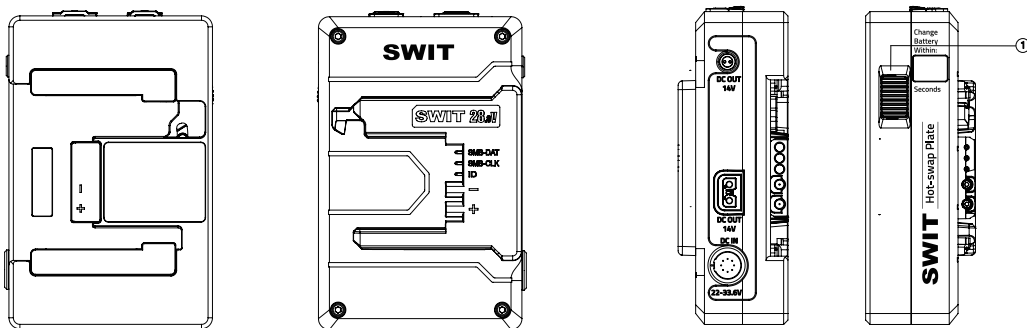
KA-R30B:



KA-R31B:



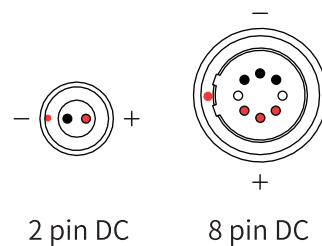
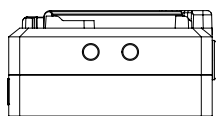
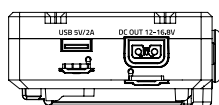
KA-B30B:



① Unlock button

B-MOUNT output

B-MOUNT input



Charging instruction

1. Charging condition: The voltage of power supply device or battery need to higher than 22V.
2. Using advise: Frequent use of internal cells may decrease the remaining capacity of the plate. Continuous connect with external power supply can be fully charged up to 120s.
3. Activate instruction: The plate will switch off after countdown time to 0, charge the plate to activate again.

Hot swap function and screen display

1. When the external power supply device (battery or adapter) is removed or the input voltage is lower than 22V, the power supply is automatically switched to the internal cells of the plate.
2. After mounting external power supply device, the power supply will automatically switched to external device; Plate will read the capacity according to remaining power.

Screen display	Status
Remaining time	After mounting external power supply device, will show the remaining time of next time hot swap, 0s~120s
Remaining time (countdown)	When removing the power supply, Internal celles supply power, plate will off when countdown to 0s
OFF	Plate is switch off, no output

Specification

Model		KA-A30B	KA-R30B	KA-R31B	KA-B30B
Charging port		B-MOUNT, 8 pin DC (male)			
Output	Main output	5 pin electrode pole	8 pin DC (male)	8 pin DC (male)	B-MOUNT
	Other output	D-TAP*2	D-TAP*2,	D-TAP*2,	D-TAP*2,
		2 pin DC (female) *1	2 pin DC (female) *1	2 pin DC (female) *1	2 pin DC (female) *1
		USB-A*1	USB-A*1	USB-A*1	USB-A*1
SDI port		/	/	Input: 3G/HD/SD-SDI*1 Output: 3G/HD/SD-SDI*2	/
Charging voltage		22~33.6V			
Output voltage and power consumption	Power consumption	200W			
	Output voltage	External power supply, output 22~33.6V; Internal cells power supply, output: 28V			
	D-TAP*2	Single one: 14V--- 70W		Total	70W, 5A
	2 pin DC (Female)	14V--- 5A			
	USB	5V--- 2A			
Total	200W				
Working temperature		-20°C~50°C Tips: The plate can be used under 0, but the output power will decrease.			
Dimensions		93*143*37.4mm	93*143*43.5mm	93*143*54.4mm	93*143*50.2mm
Net weight		638.0g	730.5g	818.5g	749.6g